



www.actengroup.com.my

ROTARY JOINTS

■ *Your trusted industrial solutions*

- Air & Oil Series*
- Cooling Water Series*
- Heating & Cooling Series*
- Steam Series*
- Hot Oil Series*
- Custom Solutions*

info@actengroup.com.my
 46-48, Lorong Senawang 2/2, Kawasan Perusahaan Senawang
 70450 Seremban, Malaysia



ACTEN



Acteng Rotary Joint has a wide range of models, besides to our standard models, we also provides custom made rotary joints / rotary union based on different fluids, pressures, temperatures, speeds and sizes.

Our rotary Joint provide a stable way to connect a flow of liquid or vapor between a stationary supply pipe and a rotating machine equipment. It operates under air pressure or vacuum and let pass liquid or vapour without leakage. Models are available to handle water, steam, air, gas, hot oil, chemical and other liquids and vapours. Our product can be custom made to your requirement. Our rotary pressure joint covers a wide industries including, rubber, textile, paper, plastics, chemical, food and many other industries.

Type of Rotary Joint

TYPE	FLUID					NOMINAL SIZE	ROTOR CONNECTION	PRESSURE (MAX)	TEMPERATURE (MAX)	SPEED
	Air	Hydraulic	Water	Steam	Hot Oil					
NW	■	■				8A ~ 50A	L,R,Q,F	10	80	800
DTF	■	■				8A ~ 25A	F	10 / 70	self ignition	1500 / 300
TTF	■	■				15A	F	10 / 70	self ignition	1500 / 300
EQ			■			8A ~ 125A	L,R,Q,F	10	100	1500
TL			■	■	■	15A ~ 80A	L,R,Q,F	10	180	300
TS				■		15A ~ 100A	L,R,Q	15	200	300
NAR				■		40A ~ 100A	L,R,Q	20	280	300
SNH			■	■	■	50A ~ 100A	L,R,Q	30	300	100
TH			■	■	■	15A ~ 125A	L,R,Q	20	300	300

* Higher Speed & Pressure available upon request

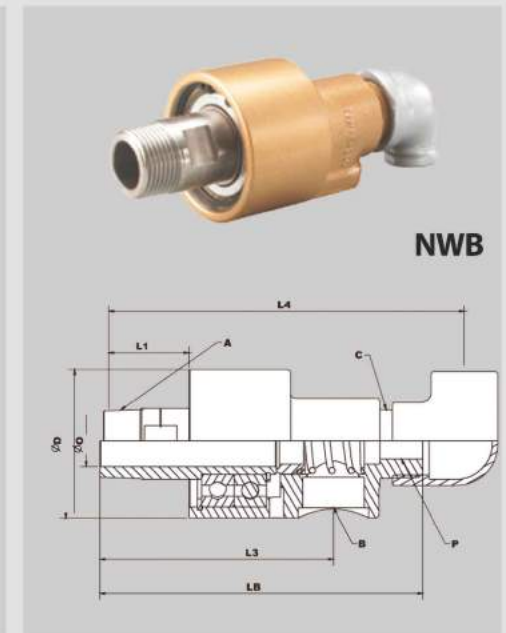
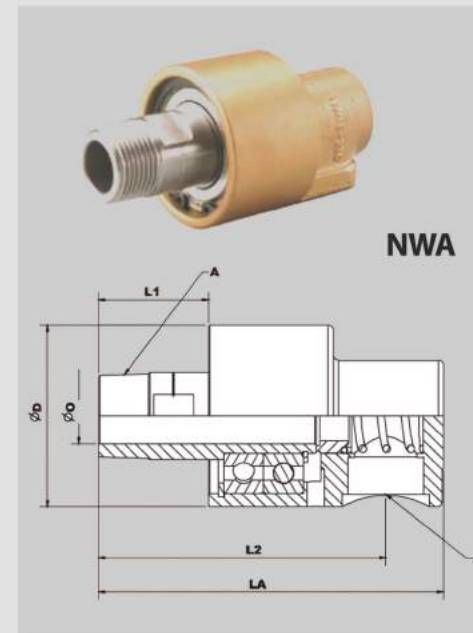


NW Air & Hydraulic Series

NW series rotary joint has the type of rotor made of stainless steel, where the folded face is polishes to become a mirror. The carbon seal comes with a properly lubricated inner wall for resistance to deliver minimum friction parameter and minium resistance or trouble at high speed. It is light and easy for maintenance, comes with monoflow or duoflow models.

Specifications

Housing Material	Aluminium Alloy	
Rotor Material	Stainless Steel	
Applicable Fluid	Air & Hydraulic	
Max Pressure	10 kg / cm ²	
Max Temperature	80 degree	
Max Speed	~ 25A	800 R.P.M
	32A ~ 50 A	500 R.P.M
	50 A ~	300 R.P.M



Nominal Size	Size Code	A	B	C	D	O	P	LA	LB	L1	L2	L3	L4	
8A	1/4"	190	1/4"	X	X	45	7	X	87	X	31	75	X	X
10A	3/8"	200	3/8"	X	X	45	9	X	87	X	31	75	X	X
15A	1/2"	210	1/2"	1/2	3/4"	58	13	1/8"	113	128	38	97	97	146
20A	3/4"	220	3/4"	3/4"	3/4"	62	17	1/4"	130	148	42	110	110	165
25A	1"	330	1"	1"	1"	73	22	3/8"	137	160	45	115	115	182
32A	1-1/4"	340	1-1/4"	1"	1-1/4"	90	30	1/2"	177	186	50	141	139	207
40A	1-1/2"	350	1-1/2"	1"	1-1/2"	96	35	3/4"	186	196	53	151	147	218
50A	2"	355	2"	1-1/2"	2"	116	45	1"	230	245	61	178	174	270

EQ Cooling Water Series

For water applications, features a primary seal of carbon graphite against ceramic to offer stability and durability. The multi-spring surround seal plate to keep away from the water of poor quality, thus offering maximum service life. The EQ series are available in monoflow or duoflow models.

Specifications

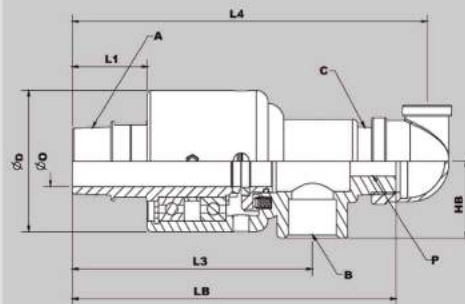
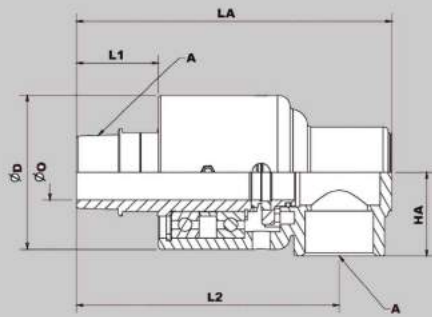
Housing Material	Gunmetal	
Rotor Material	Stainless Steel	
Applicable Fluid	Water, Air, Oil	
Max Pressure	10 kg / cm ²	
Max Temperature	100 degree	
Max Speed	~ 25A	1500 R.P.M
	32A ~ 50 A	800 R.P.M
	50 A ~	500 R.P.M



EQA



EQB



Nominal Size	Size Code	A	B	C	D	O	P	LA	LB	L1	L2	L3	L4	HA	HB
8A 1/4"	190	1/4"	x	x	50	7	x	108	x	25	93	x	x	x	x
10A 3/8"	0	3/8"	x	x	50	9.5	x	108	x	25	93	x	x	x	x
15A 1/2"	1	1/2"	1/2"	3/4"	58	14	1/8"	123	140	33	108	108	155	x	x
20A 3/4"	2	3/4"	3/4"	3/4"	65	19	1/4"	142	160	42	121	121	170	35	35
25A 1"	3	1"	1"	1"	72	26	3/8"	162	182	45	137	137	199	43	43
32A 1-1/4"	4	1-1/4"	1"	1-1/4"	88	32	1/2"	184	206	51	154	154	221	48	48
40A 1-1/2"	5	1-1/2"	1-1/4"	1-1/2"	92	36.4	3/4"	191	212	51	159	159	235	52	52
50A 2"	6	2"	1-1/2"	2"	115	49	1"	239	256	64	197	194	272	60	60
65A 2-1/2"	7	2-1/2"	2"	2-1/2"	145	61.5	1-1/4"	290	303	70	235	226	333	75	70
80A 3"	8	3"	2"	2-1/2"	160	76	1-1/2"	306	313	70	246	241	345	88	80

TL Hot Water, Steam, Hot Oil Series

Apt for the exchange of hot and cool fluids. Features a set of flexible pouch; bellows; that expand in high temperature and shrinks in low, to provide great flexibility. The TL series are ideal for high speed, high temperature and high pressure conditions

Specifications

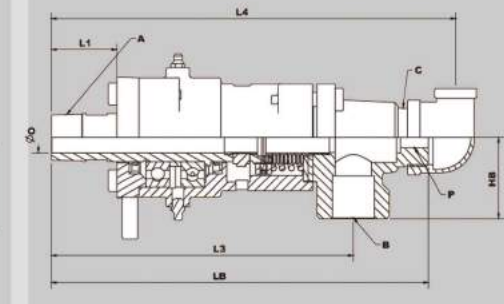
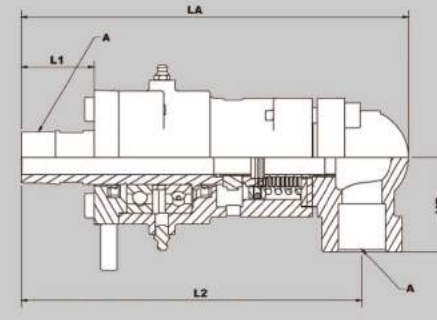
Housing Material	Ductile Cast Iron	
Rotor Material	Carbon Steel	
Applicable Fluid	Hot Water, Steam, Hot Oil	
Max Pressure	10 kg / cm ²	
Max Temperature	180 degree	
Max Speed	~ 25A	300 R.P.M
	32A ~ 50 A	200 R.P.M
	50 A ~	150 R.P.M



TLA



TLB



Nominal Size	Size Code	A	B	C	O	P	LA	LB	L1	L2	L3	L4	HA	HB	X	Y	Y1
15A 1/2"	210	1/2"	1/2"	3/4"	14	1/8"	191	204	38	176	171	220	42	34	13	20	54
20A 3/4"	220	3/4"	3/4"	1"	18	1/4"	212	233	40	194	190	253	46	47	19	20	65
25A 1"	330	1"	1"	1-1/4"	26	3/8"	250	271	47	220	217	290	61	58	17	24	73
32A 1-1/4"	340	1-1/4"	1"	1-1/2"	30	1/2"	272	283	50	241	231	318	98	52	19	45	98
40A 1-1/2"	350	1-1/2"	1"	1-1/2"	34	3/4"	272	283	50	241	231	318	98	52	19	45	98
50A 2"	355	2"	1-1/2"	2"	45	1"	321	360	70	282	282	386	85	60	20	32	105
65A 2-1/2"	360	2-1/2"	2"	2-1/2"	61.5	1-1/4"	380	396	68	326	315	432	106	80	25	42	136
Nominal Size	Size Code	A	B	C	O	P	LA	LB	L1	L2	L3	L4	HA	HB	L5	X	M
80A 3"	370	3"	2"	3"	71	1-1/2"	393	418	77	338	324	468	110	110	185	242	20

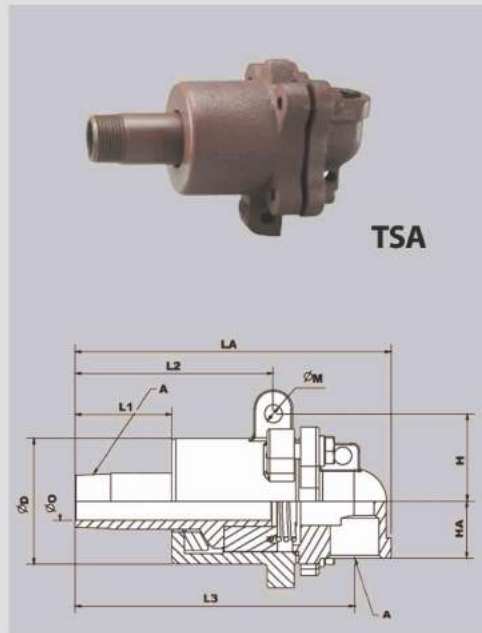


TS Steam Series

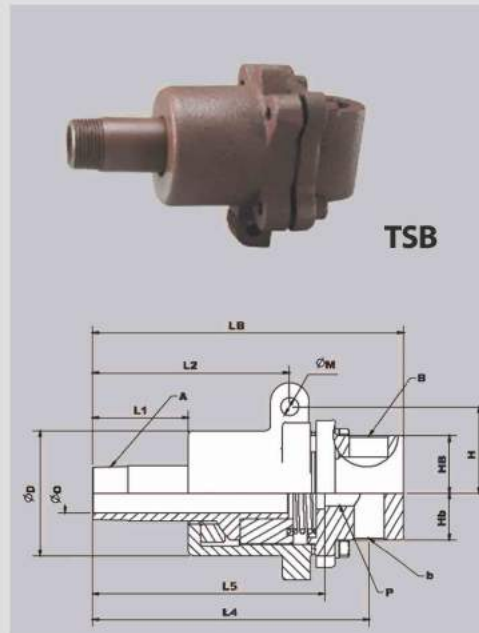
Specifications

Housing Material	Ductile Cast Iron	
Rotor Material	Ductile Cast Iron	
Applicable Fluid	Steam	
Max Pressure	15 kg / cm ²	
Max Temperature	200 degree	
Max Speed	~ 25A	300 R.P.M
	32A ~ 50 A	200 R.P.M
	50 A ~	150 R.P.M

- TS series are designed for operation in various steam applications
- Features a carbon graphite bearing for high temperature application
- There is no rolling element bearing, hence no lubrication is required
- Duoflow models are available for use with fixed siphon
- Economic, lightweight, compact, ideal for high pressure and high temperature environment



TSA

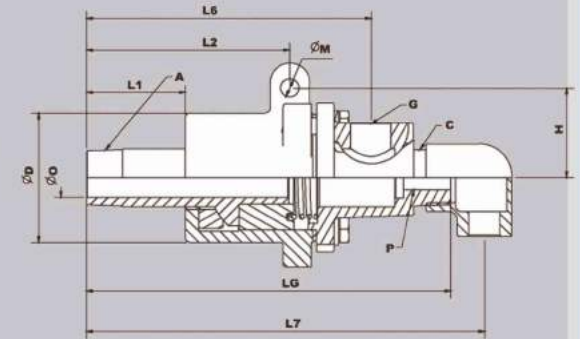


TSB

Nominal Size	Size Code	A	B	C	b	D	G	M	O	P	LA	LB	LG	L1	L2	L3	L4	L5	L6	L7	H	HB	Hb
15A 1/2"	210	1/2"	1/2"	x	1/2"	71	x	9	13	1/8"	167	164	x	48	105	146	143	118	x	x	50	x	x
20A 3/4"	220	3/4"	3/4"	3/4"	1/2"	71	3/4"	11	19	1/4"	185	180	207	51	113	164	159	134	166	222	53	x	x
25A 1"	330	1"	3/4"	1"	1/2"	78	3/4"	11	25	3/8"	196	193	220	60	123	173	171	144	171	190	54	x	x
32A 1-1/4"	340	1-1/4"	1"	1-1/4"	3/4"	93	1"	11	32	1/2"	230	258	240	60	133	200	208	168	193	259	66	47	33
40A 1-1/2"	350	1-1/2"	1-1/4"	1-1/2"	3/4"	116	1-1/4"	14	38	3/4"	286	338	312	70	171	250	270	200	241	336	78	48	37
50A 2"	355	2"	1-1/2"	2"	1"	132	1-1/2"	14	50	1"	312	332	316	76	172	268	266	210	248	338	89	65	46
65A 2-1/2"	360	2-1/2"	2"	2"	1"	141	2"	18	63	1"	366	381	374	88	209	311	311	240	298	393	90	58	55
80A 3"	370	3"	2-1/2"	3"	1-1/4"	154	2-1/2"	22	72	1-1/4"	410	435	408	100	230	345	344	303	323	458	105	64	58
90A 3-1/2"	375	3-1/2"	x	3"	x	185	2-1/2"	22	85	1-1/2"	x	x	463	105	231	x	x	371	500	105	x	x	
100A 4"	380	4"	x	3"	x	210	3"	22	96	2"	462	x	483	125	270	400	x	x	388	520	145	x	x



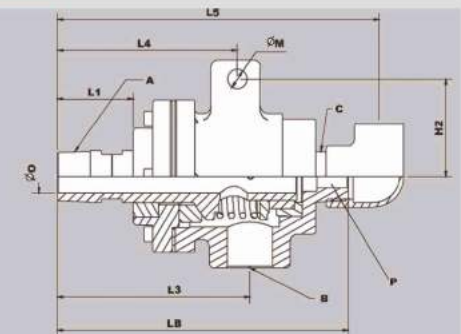
TSG



TH High Temperature Series



THB



- TH series are used for steam, hot water and oil
- Features a ductile cast iron shaft for high temperature
- Special carbon graphite bearing is lubricated by the process fluid, no additional lubrication
- Duoflow models are available for fixed or rotating siphon.

Specifications

Housing Material	Ductile Cast Iron
Rotor Material	Ductile Cast Iron
Applicable Fluid	Hot Oil, Water, Steam
Max Pressure	20 kg / cm ²
Max Temperature	300 degree
Max Speed	~ 25A 300 R.P.M
	32A ~ 50 A 200 R.P.M
	50 A ~ 150 R.P.M

Nominal Size	Size Code	A	B	C	D	M	O	P	LA	LB	L1	L2	L3	L4	L5	H1	H2
15A 1/2"	1	1/2"	1/2"	3/4"	100	13	13	1/8"	145	162	39	107	107	102	177	54	52
20A 3/4"	2	3/4"	3/4"	3/4"	100	13	19	1/4"	145	162	39	107	107	102	177	54	52
25A 1"	3	1"	1"	1"	102	13	23	3/8"	178	194	50	128	128	120	215	61	65
32A 1-1/4"	4	1-1/4"	1"	1-1/4"	110	13	31	1/2"	201	223	50	136	131	138	238	70	59
40A 1-1/2"	5	1-1/2"	1-1/4"	1-1/2"	128	13	38	3/4"	218	236	52	152	152	151	258	70	70